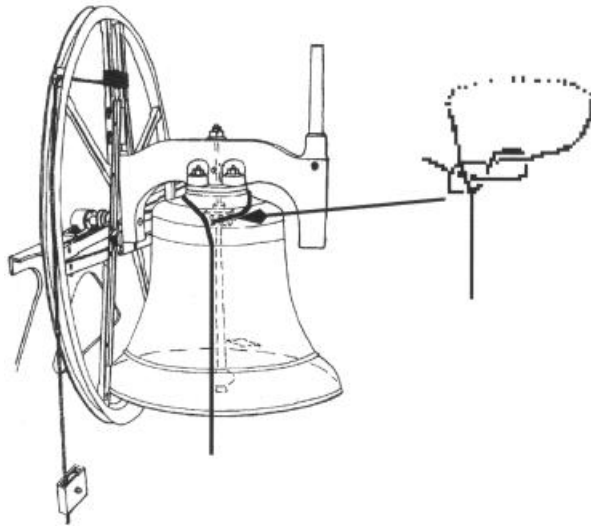


# Silencing a bell simply with a piece of rope

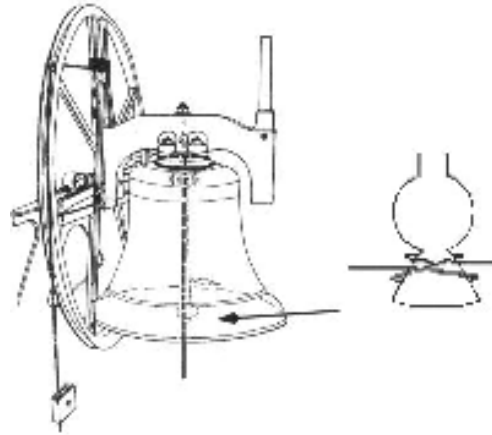
You need about 14 feet / 4½ metres of bellrope. It will last better if the ends are whipped or backspliced.

## MAKE SURE THE BELLS ARE DOWN FIRST



Position yourself comfortably on one side of the bell. Pass one end of the rope around the top of the bell under the headstock making a loop.

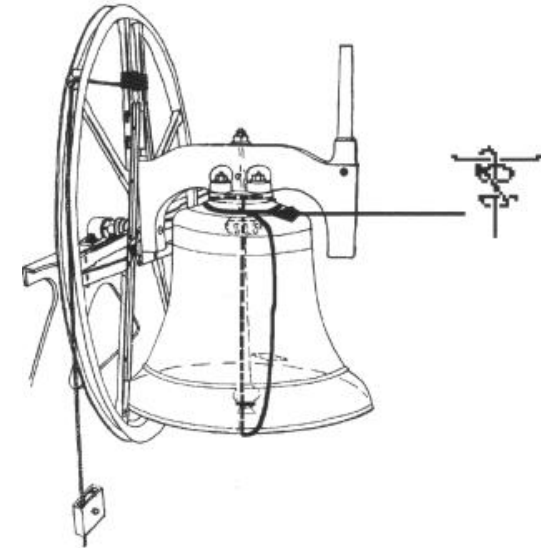
Tie a packer's knot where shown. And pull reasonably tight.



Twist the loop round so that the long end of the rope hangs down on the far side of the bell.

Reach under the bell and pull the loose end of rope fairly taut against the middle of the far side of the lip of the bell. Then tie a clovehitch around the narrow part of the flight as shown. With practice (at home?) you can make the knot and then slip it over the flight.

Adjust if necessary so that the clapper is about in the middle of the bell and pull tight.



Bring the loose end of the rope to your side of the bell and pass the end through the loop that you made at the beginning. Pull the rope towards you very tightly. Secure it with two half hitches as shown.

Tuck in any loose rope securely.